



## TH - Series

### YATAY TİP DENGE TANKLARI

### HORIZONTAL PRESSURE TANKS

### RESERVOIRS HORIZONTAL A VESSIE

### ГОРИЗОНТАЛЬНОЕ БАКИ



18...24 lt



P MAX 6 - 8 bar



P PRE 2 bar

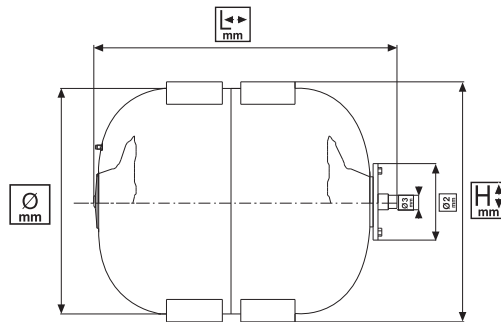


EPDM



max. + 99°C

TM 8 ... 25



CODE	MOD	lt	Ø mm	H mm	L mm	Ø2 mm	Ø3 mm	m <sup>3</sup>	mm		
M101950009	TH 8	8	220	240	320	97	3/4"	0,019	331	231	255
M101950013	TH 12	12	260	280	330	150	1"	0,027	342	272	295
M101950017	TH 16	16	260	280	355	150	1"	0,029	367	272	295
M101950022	TH 20	20	260	285	430	150	1"	0,036	442	272	300
M101950027	TH 25	25	260	280	500	150	1"	0,041	512	272	295



40...110 lt



P MAX 8 - 10 bar



P PRE 2 bar

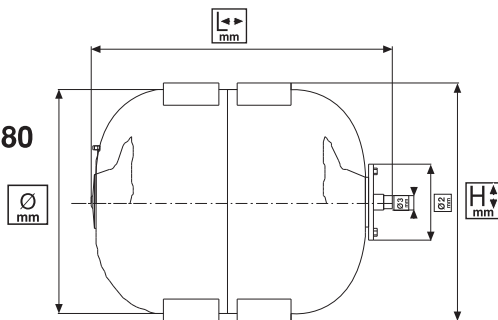


EPDM

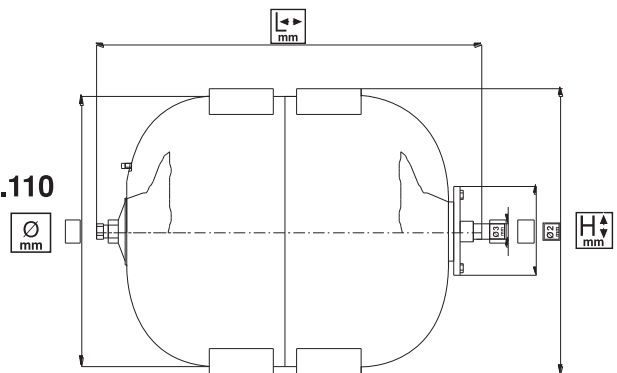


max. + 99°C

TH 40...80



TH...110



CODE	MOD	lt	Ø mm	H mm	L mm	Ø2 mm	Ø3 mm	m <sup>3</sup>	mm		
M101950045	TH 40	40	365	385	520	150	1"	0,080	532	377	400
M101950055	TH 50	50	365	385	575	150	1"	0,088	587	377	400
M101950065	TH 60	60	365	385	635	150	1"	0,097	647	377	400
M101950085	TH 80	80	460	480	780	150	1"	0,185	792	472	495
M101950115	TH 110	110	460	480	840	150	1"	0,199	852	472	495

